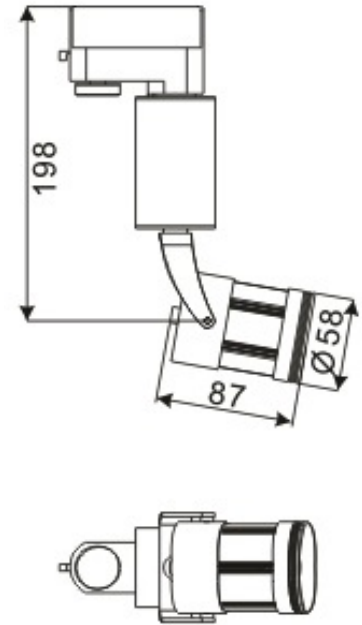


LED Track Lighting – LR-T00105



Model No.	LR-T00105
LED Type	CREE MCE
LED Q'TY.	1
Beam Angle	15°
Minimum luminous flux(lm)	320
Voltage	120~240V
LED Watt	4W
Environmental Temperature	- 20°C~60°C
Environmental Humidity	0%-95%
Safety Class	I
Safety Type	IP20
Material	Aluminium
Driver	Included

For more information
www.ledrays.com